

DESIGNER COMPOSITE CLADDING INSTALLATION GUIDE



Table of Contents

Installation Guidelines	2
Getting Started	3
List of Materials	4
Installation Instructions	6
Finishing Up	13

Installation Guidelines

IMPORTANT: Please review all sections of this manual before beginning installation.

Pre Installation

The diagrams and instructions provided in this manual are for reference only. Determination of the effectiveness, suitability, and safety of any application or use of Sylvanix products is solely the responsibility of the installer. Building code regulations vary, and the installer must consult local building and safety codes for specific requirements prior to the application of Sylvanix cladding products. Basic woodworking tools, such as a saw (table and portable saws), impact drill, hand drill, etc. can be used.

Cladding Profile Application

Sylvanix cladding materials can not be used as a main support system. This includes using profiles as beams, columns and other load-bearing structures. Sylvanix Cladding must be combined with other code-compliant load-bearing structures.

Getting Started

Planning and Design

Before the installation of Sylvanix cladding, it is recommended to prepare a site drawing of your specific project to minimize errors and ensure your project goes according to plan. Planning before project installation can also help ensure that the cladding installation meets local building codes and zoning ordinances.

Material Storage

Store Cladding materials on a rigid, smooth, and flat surface. Keep profiles covered, and off the ground on a surface that is protected from direct exposure to weather and sunlight. Do not store cladding in a damp or stagnant environment.

Expansion and Spacing Considerations

All cladding materials, whether wood or composite, undergo some degree of linear expansion with the change of weather and the seasons. For best results, keep cladding profiles out of direct sun during storage and cutting processes, and throughout installation, if possible. To compensate for the effects of expansion and contraction, we stipulate following our spacing requirements shown below.

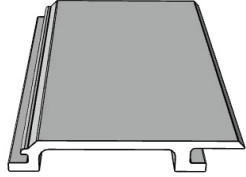
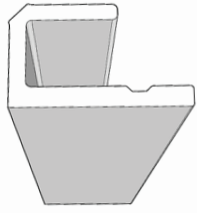
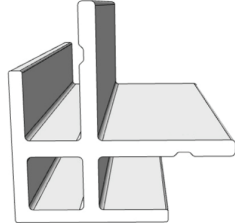
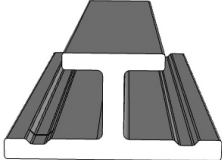
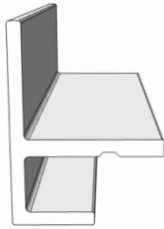
Please Note: For cladding end-to-end spacing and end-to-structure spacing, the below requirements must be met for full Sylvanix Warranty Coverage.

Cladding Spacing by Ambient Temperature

Ambient Temperature (°F)	< 35°	36° - 69°	70° - 89°	90°+
Spacing for Soar Cladding	1/3 inch	1/4 inch	1/8 inch	1/16 inch

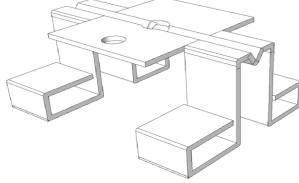

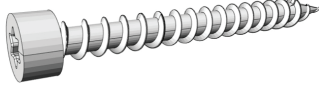


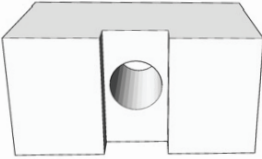
Always consider linear expansion and contraction when installing Sylvanix cladding. If temperature fluctuates during installation, the gapping between board ends and trim pieces must be changed accordingly. Sylvanix Soar Cladding complies with all major building codes and has been evaluated by the International Code Council evaluation service (ICC-ES).

List of Materials

Product Name	Item Code	Image	Application
Designer Cladding Board	HLYC-017B		Decorative Wall Cladding
Designer Inner Corner Trim	HLYC-016F		Used when installing Cladding Boards at inside corner areas
Designer Outer Corner Trim	HLYC-015F		Used at outside corner areas
Designer Butt Joint Trim	HLYC-013F		Used to cover butt joint areas
Designer F-Trim	HLYC-014F		Used to wrap edges and top or bottom of Cladding Boards

**When metal furring strips are used, please consult the manufacturer on fastener specifications.*

List of Materials

Product Name	Item Code	Image	Application
Hidden Fastening Clip	HLPM-100 (B)		For installation of the Cladding Boards 1 Pack includes 150 pieces (100 sqft)
Hidden Fastening Screw TYPE 1	HLPM-099 (B)		Used to secure the Hidden Fastening Clip directly to the furring strip 1 Pack includes 150 pieces (100 sqft)+ Driver Bit
Hidden Fastening Screw TYPE 2	HLPM-098 (B)		Used to secure Hidden Fastening Clip through Cladding board and into furring strip 1 Pack includes 50 pieces (100 sqft)+ Driver Bit
Color Matched Screw	HLPM-097 (B)		Color matched screws for trim installation and any finishing work 1 Pack includes 50 pieces +Driver Bit
Color Matched Screw LONG	HLPM-096 (B)		Longer color matched screws for any finishing work 1 Pack includes 50 pieces +Driver Bit
Rubber Support	HLPP-052 (C)		Used to install cut Cladding Board

**When metal furring strips are used, please consult the manufacturer on fastener specifications.*

Installation Instructions

1. Furring Strips

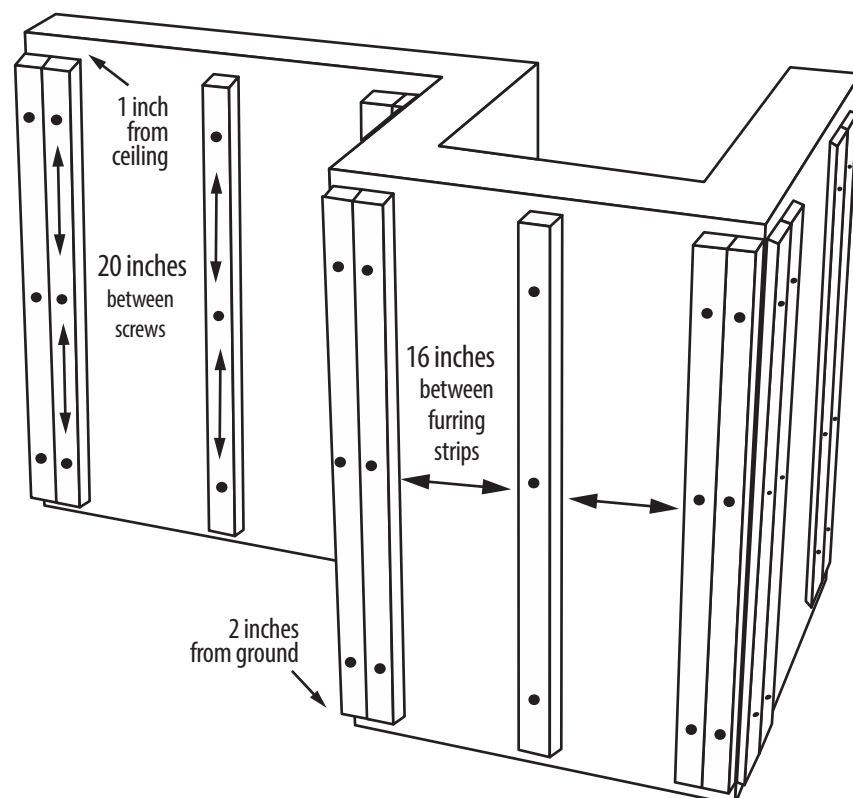
Designer Cladding does not require furring strips, provided that the cladding can be fastened to pre-existing studs. If pre-existing studs are not present for your project, furring strips will be required.

A. If furring strips are required, we recommend using wood furring strips with a minimum thickness of 1" (actual thickness 3/4"). Each cladding board should be supported by a furring strip spaced NO MORE than 16" from center to center. Please note that extra furring strips and blocking may be required around obstacle areas such as windows and doors to create adequate cladding support. Please leave a minimum of 2" between the ground and the bottom of the furring strip, as well as 1" between the ceiling and the top of the furring strip.

B. All Furring strips must be flat and level to the wall, please use shims in areas where it is required.

C. All Furring strips must be fixed into the studs with screws spaced no more than 24" apart.

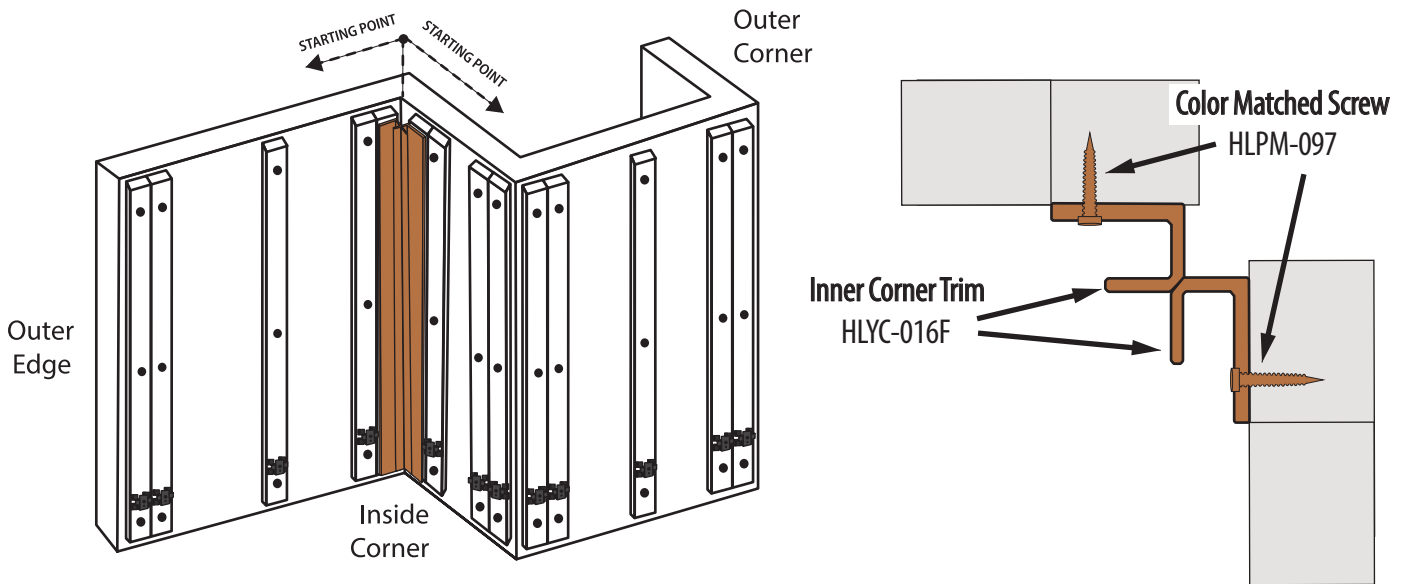
D. Sylvanix recommends using a code-approved water-resistant barrier behind our cladding. Please consult a building professional regarding water barriers and insulation for your project.



Installation Instructions

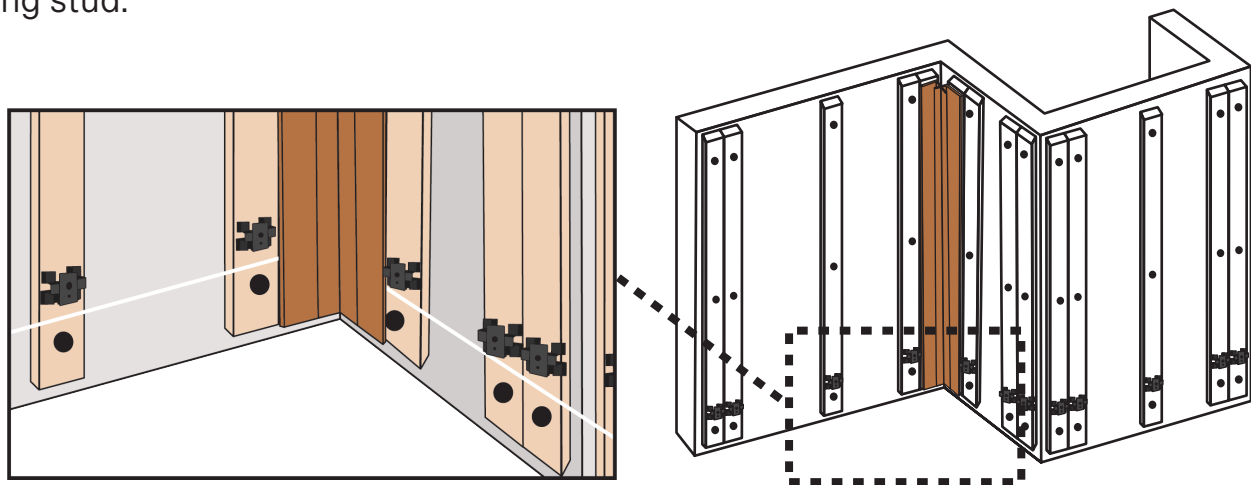
2. Installation of Inner Corner Trim

- A. Using the color match screw, secure the Inside Trim at all inside corner areas.
- B. With the spacing of fasteners determined by the spacing of the furring strips, use one color match screw to fasten trim boards at each furring strip.
- C. Please allow a minimum of 1" between the bottom of the trim piece and the ground.



3. Installation of Cladding Board

- A. Using a chalk line, place an adjustable clip at the bottom of each furring strip or framing stud.

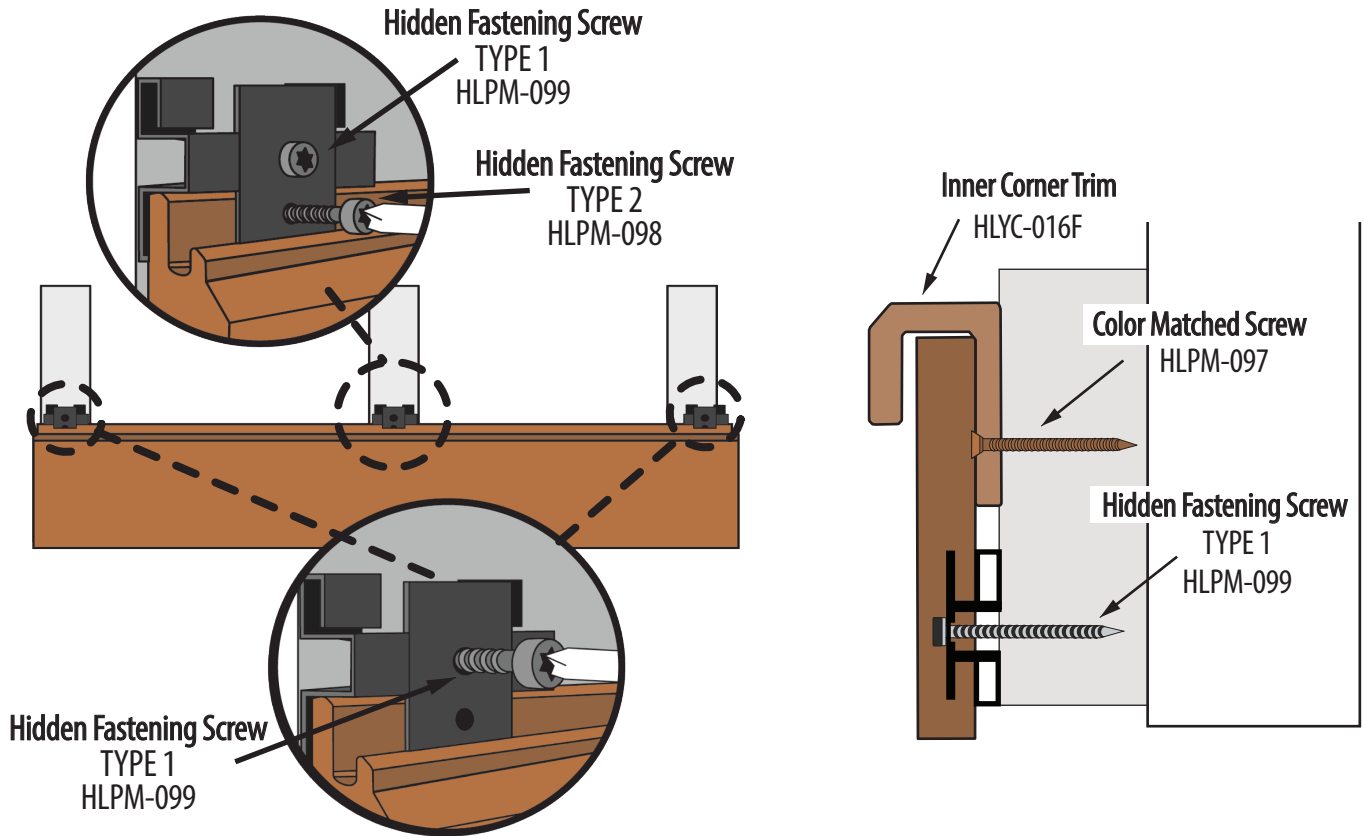
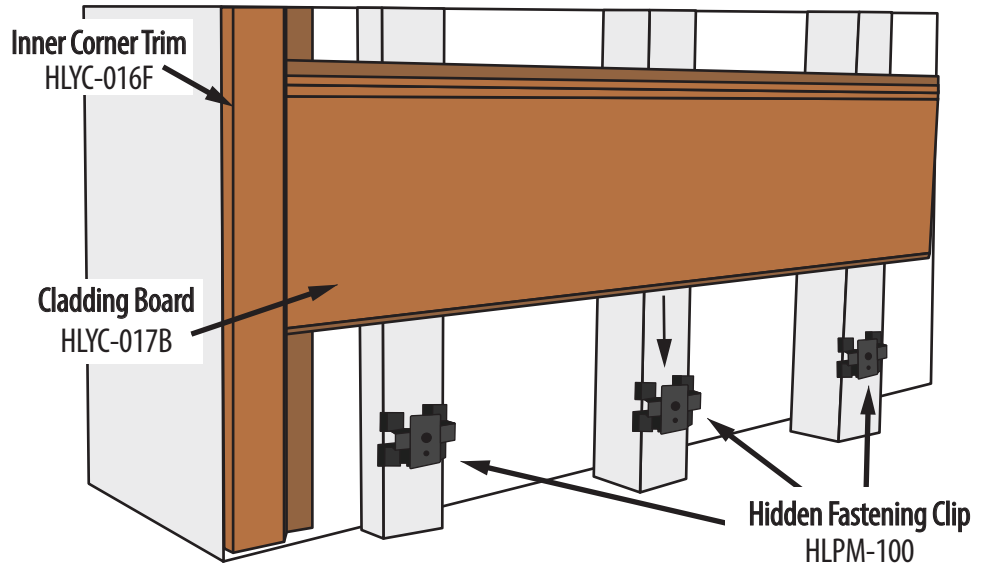


Installation Instructions

B. Slide the outermost edge of the first Designer Cladding Board into the open groove of the Inner Corner Trim and onto the adjustable clips at the bottom of each furring strip or framing stud.

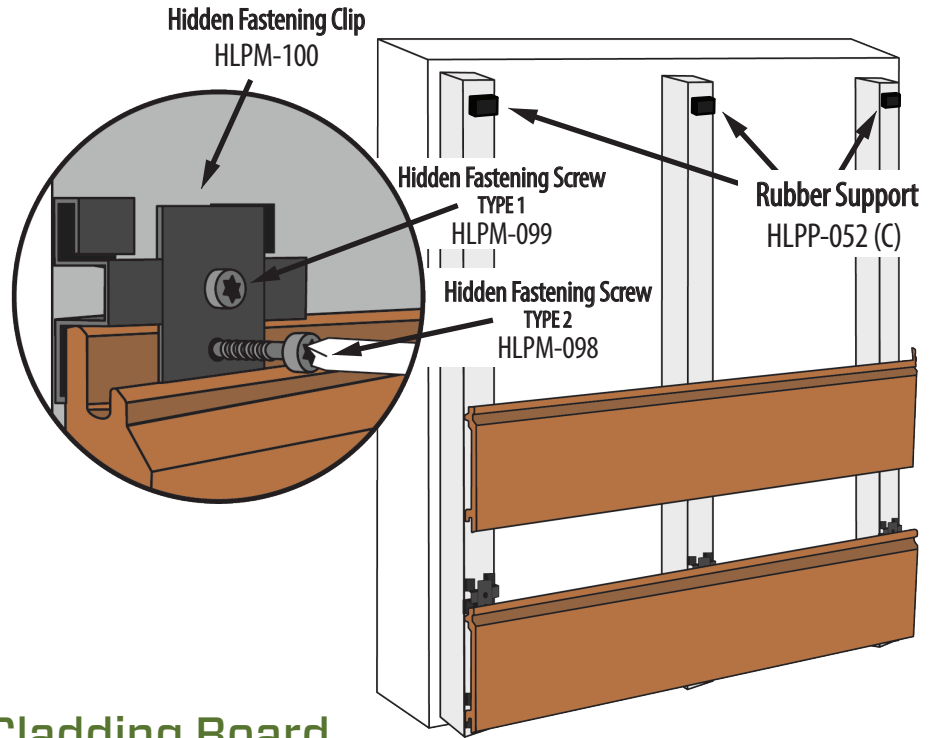
Please Note:

It is only required to secure the clip with both screws at the center of each cladding board. All other clips can be secured using one screw. See below.



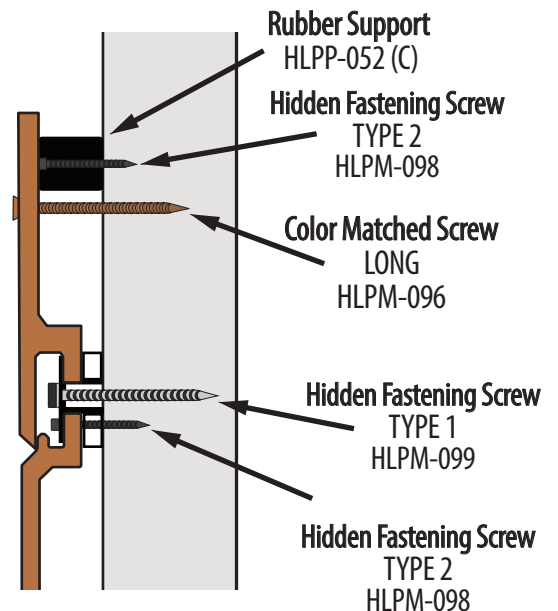
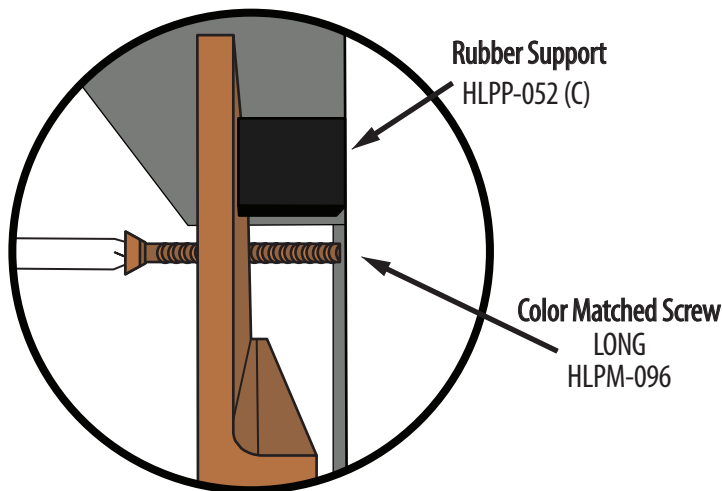
Installation Instructions

C. After the first Cladding Board is installed, place clips on the top of the installed board and secure them to the furring strip. Remember to secure the center clip with both screws. Place the second Cladding Board onto the clips and fasten. Repeat this process up the wall.



4. Installing The Last Cladding Board

When installing the last board on top, it may be necessary to cut the Cladding Board to the correct size. Use the Rubber Support to secure the cut Cladding Board to the furring strip. For best results, we recommend fastening the Color Match Screw within 1" of the Rubber Support when installing a final cut board.



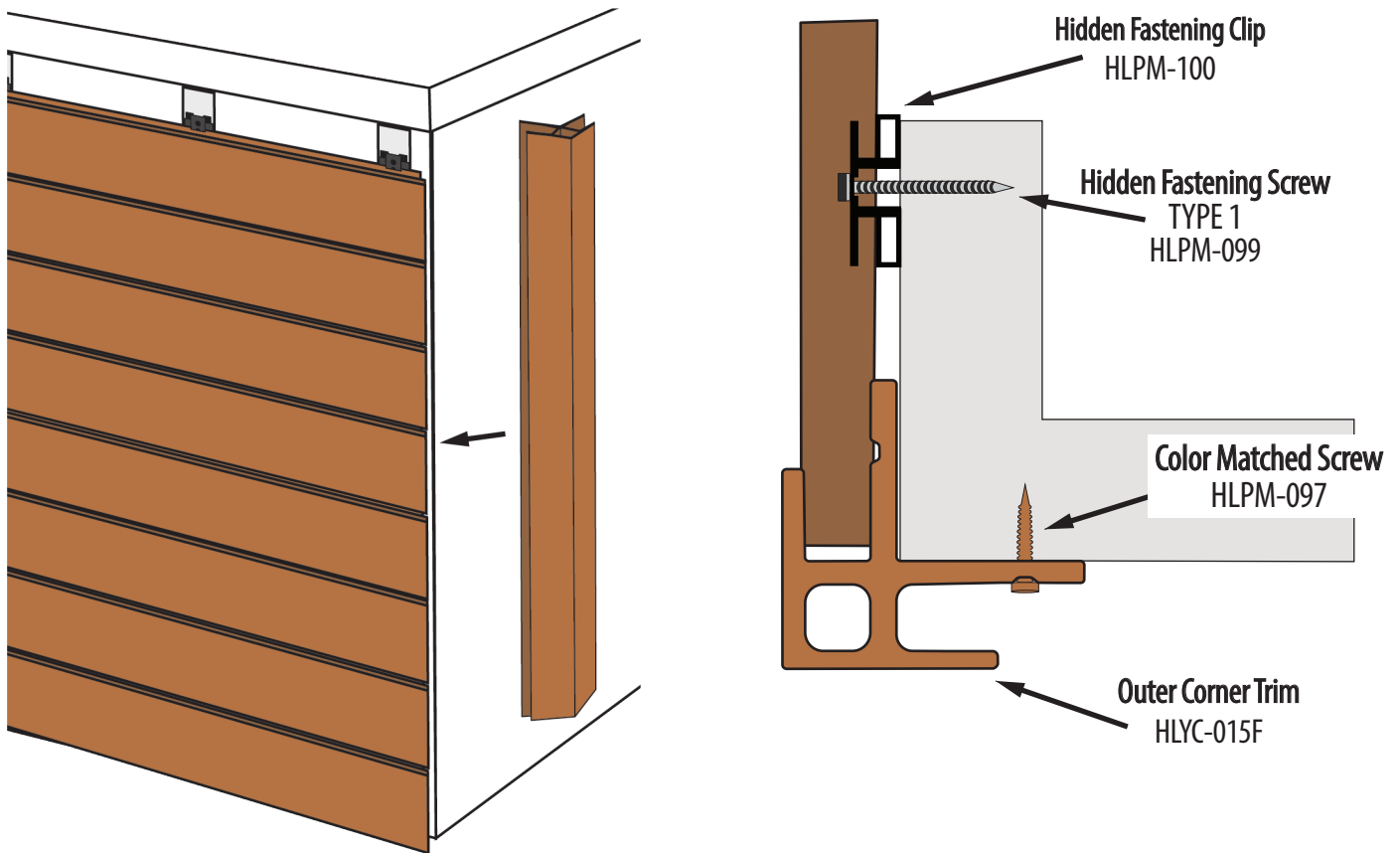
Cladding boards can be ran to the soffit, or an F Trim can be ripped and face screwed over the last cladding board for a finished look.

Installation Instructions

5. Outer Corner Trim Installation

A. Outer Corner Trim can be used to create a seamless transition of cladding around an outside corner and to the next wall.

B. Slide one side of the Outer Corner Trim between the cladding board and the furring strip or stud. Fasten the opposite side of the Outer Corner Trim using a color match screw. Continue installation of cladding boards on the next wall area.



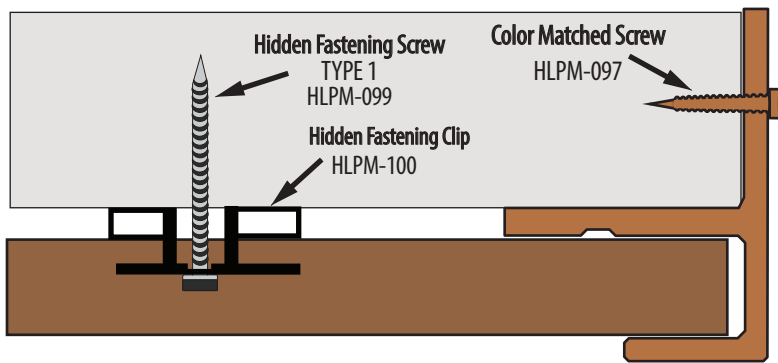
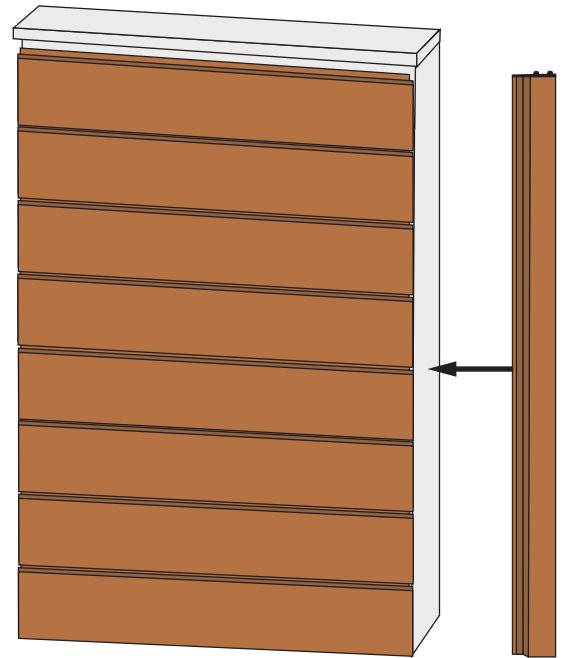
Please Note: Remember to leave a gap between cladding board and Outer corner trim to allow for expansion and contraction. See Cladding Space Table on page 3.

Installation Instructions

6. F-Trim Installation

A. F-Trim can be used on the sides of your project to finish the sides of cladding boards and provide a seamless transition from cladding edge to wall end.

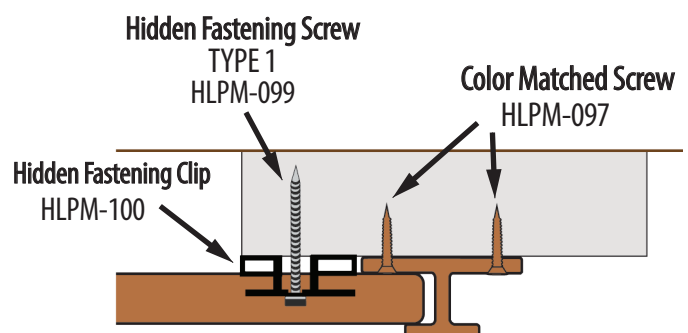
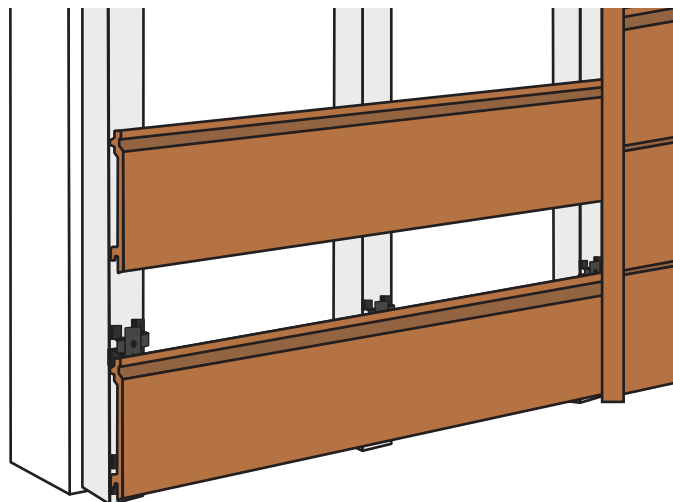
B. Slide the F-Trim between the cladding board and the furring strip or stud, and fasten the trim piece to the wall end using a color match screw.



7. Butt Joints

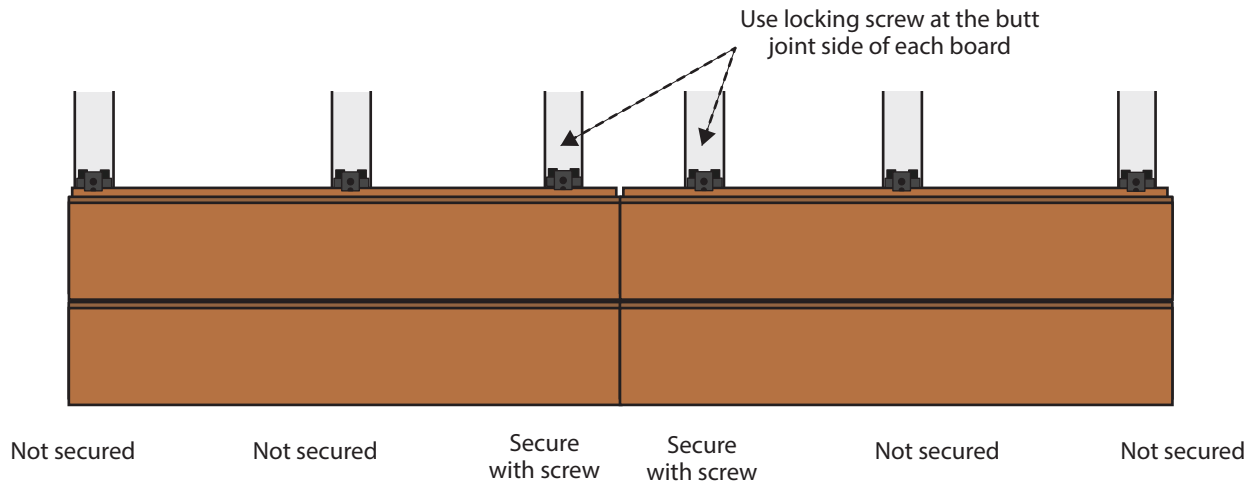
A. For areas where butt joints are present, Butt Joint Trim can be used to cover any gapping or spacing concerns.

B. After cladding boards have been installed, fasten the Butt Joint Trim to the side of the cladding boards. After Butt Joint Trim has been fastened, the next series of cladding boards can be placed into the trim piece groove and installed.



Installation Instructions

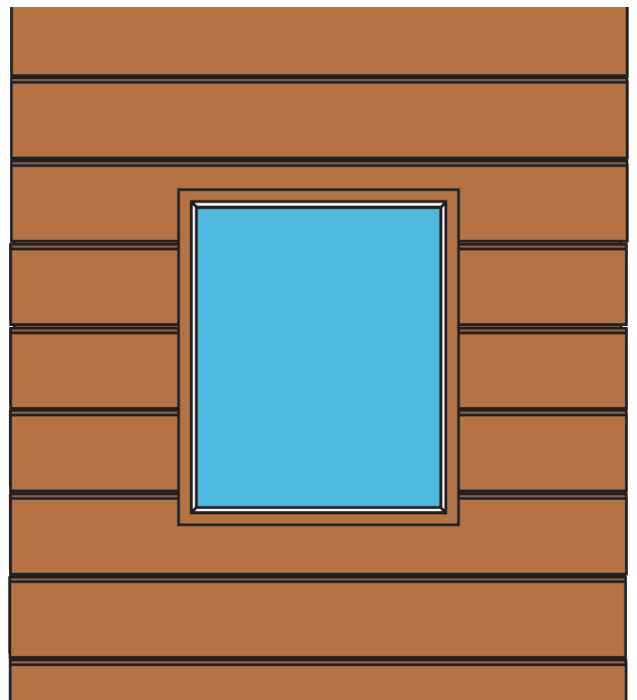
If Butt Joint Trim is not used, follow this diagram. Please refer to the temperature requirements on Page 3.



8. Window and Door Trim

A. Although not required, Designer F-Trim can be used around all window and door openings to create a seamless transition from cladding boards to window or door edge.

Please keep in mind the expansion and contraction spacing requirements given on Page 3.



Finishing Up

Additional Information

The diagrams and instructions provided in this manual are for reference only. Determination of the effectiveness, suitability, and safety of any application or use of Sylvanix products is solely the responsibility of the installer. Building code regulations vary, and the installer must consult local building and safety codes for specific requirements prior to the application of Sylvanix cladding products.

Visit our website for any additional information.

Please note: Any deviation from these recommendations could void Sylvanix cladding warranty.

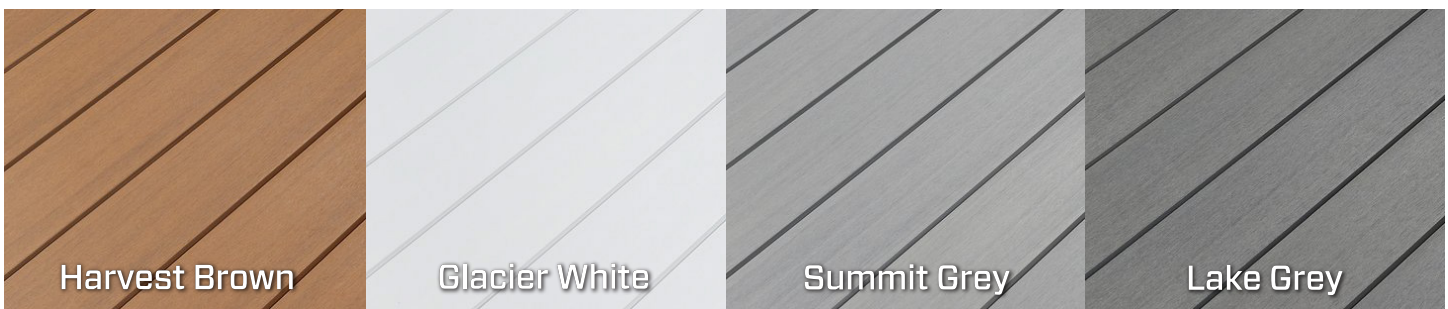
Find us on Social Media!

@SylvanixOutdoorProducts



SYLVANIX.COM

Color Palette



designercollection™

